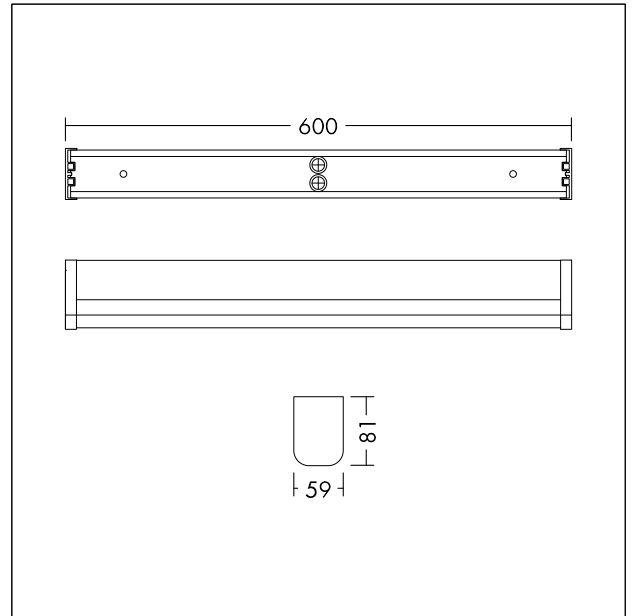


LED Bathroom mirror luminaire

LED Bathroom mirror luminaire, IP44, with microwave sensor for presence and daylight detection and Vario Flex technology. Colour Rendition > 90 for best lighting quality, opal diffuser for homogenous lighting. Total luminous flux: 1200 lm. Luminaire input power: 12 W. Luminaire efficacy: 100 lm/W. Colour rendering Ra > 90, colour temperature 3000/3500/4000 K, adjustable via switch. Lifetime: 50.000hrs @L70. Chromaticity tolerance (initial MacAdam): 4. Impact strength: IK08. FLEX technology allows to adjust the input power on site by 2 steps (FLEX1 - 1200 lm (12W), FLEX2 - 900 lm (9W)). For flex data on other colour temperatures please visit website. Dimensions: 600 x 59 x 81 mm, weight: 0.85 kg.



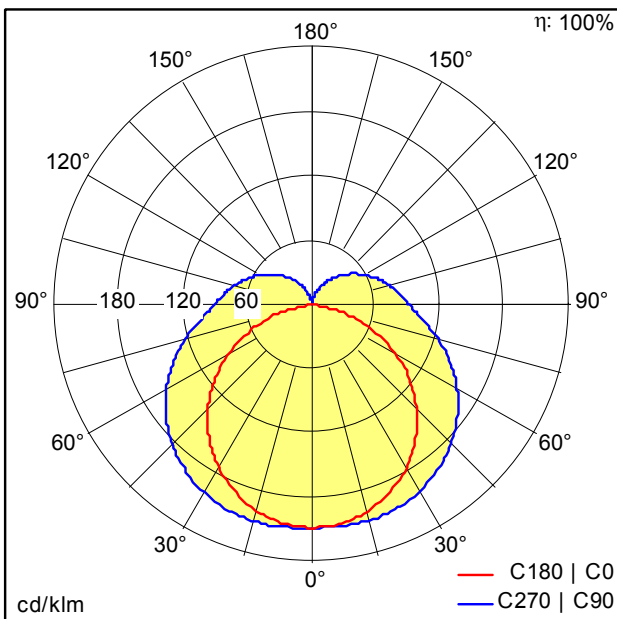
TE\_ELSA\_F\_600\_PERSP\_NO\_SWITCH.jpg



TE\_ELSAVARIOFLEX\_M\_600.wmf

Light Distribution

STD - standard



TE\_ELSA\_VARIOFLEX\_600\_1200\_940\_FLEX1.idt

- Light Source: LED
- Luminaire luminous flux\*: 1200 lm
- Luminaire efficacy\*: 100 lm/W
- Colour Rendering Index min.: 90
- Correlated colour temperature: 3000-4000 Kelvin
- Chromaticity tolerance (initial MacAdam): 4
- Rated median useful life\*: L70 50000h at 25°C
- Ballast: 1x LED\_Con
- Luminaire input power\*: 12 W Power factor = 0.9
- Dimming: Fixed output
- Total harmonic distortion (THD): 20.00 %

This product contains a light source of energy efficiency class E.

All values marked with an \* are rated values. Luminous flux and connected electrical load are subject to an initial tolerance of +/- 10%. Unless stated otherwise, the values apply to an ambient temperature of 25°C.