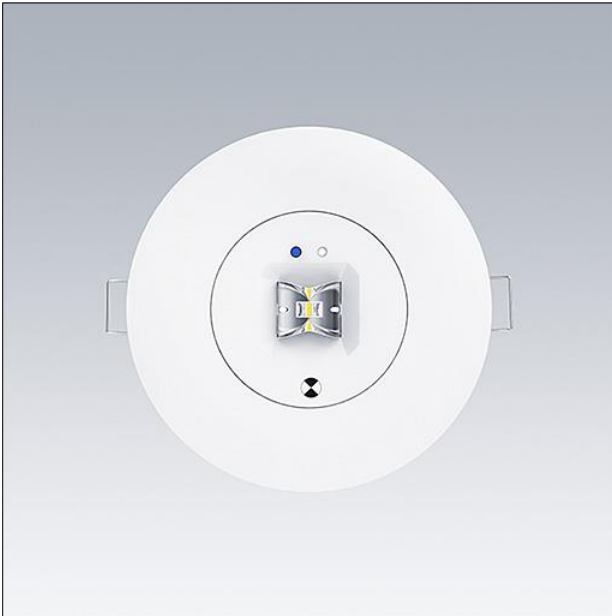
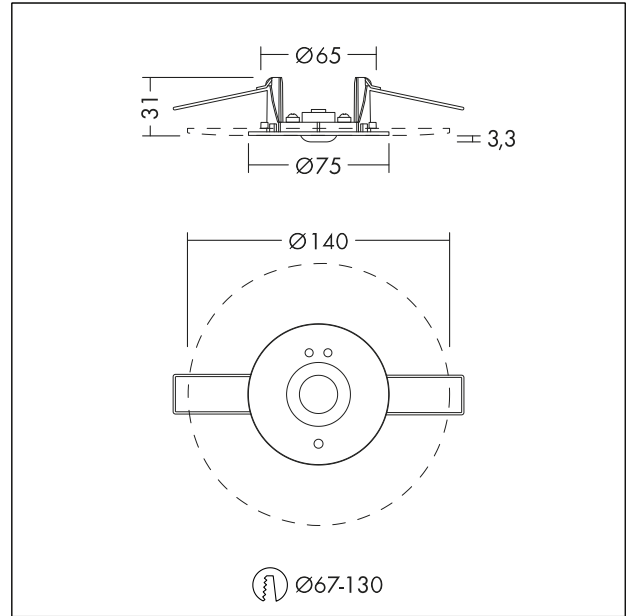


Emergency Downlight

LED emergency downlight for escape route lighting with min. 1 lux compliant to EN 1838. Special polycarbonate lens design to improve and maximise spacing. Colour Temperature: 4000K. Tool-free and fast installation due to retaining springs and included connector for easy and tool-free loop-in loop-out wiring. Cut out diameter 67 - 130mm, tool-free replacement of battery, Luminaire with local battery supply (LiFePO4) for 3 hour emergency lighting in non-maintained mode, with automatic test (self-test), display of luminaire status via status LED, battery: LiFePO4 3,2V 1,5Ah, initial charging period: 24 hours, Surface mount box available as accessory. Dimensions: Ø140 x 3 mm, weight: 0.27 kg



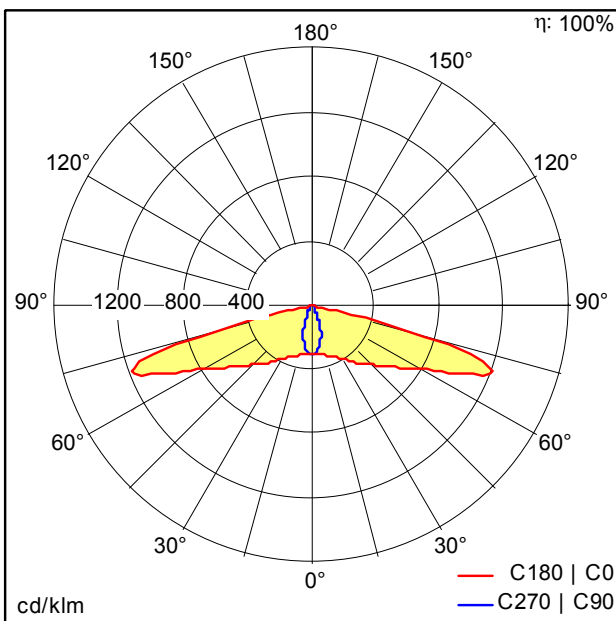
TE\_IRIS\_F\_ESCAPE\_FRONT.jpg



TE\_IRIS\_M\_IRIS.wmf

Light Distribution

STD - standard



TE\_IRIS\_ESCAPE\_SELFTEST\_E3\_LiFePO4.ltd

- Light Source: LED
- Luminaire luminous flux\*: 210 lm
- Colour Rendering Index min.: 70
- Correlated colour temperature: 4000 Kelvin
- Chromaticity tolerance (initial MacAdam): 7
- Rated median useful life\*: L80 50000h at 25°C
- Standby Power\*: 0.7 W
- Charging power: 2 W
- Service life rating: 3 h

All values marked with an \* are rated values. Luminous flux and connected electrical load are subject to an initial tolerance of +/- 10%. Unless stated otherwise, the values apply to an ambient temperature of 25°C.