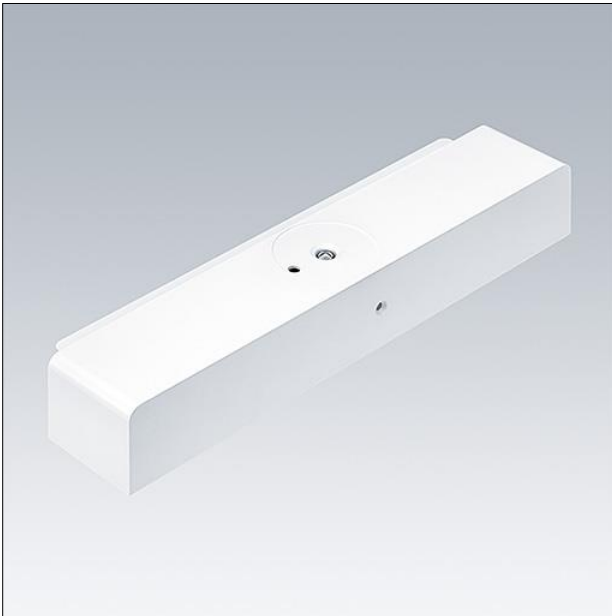
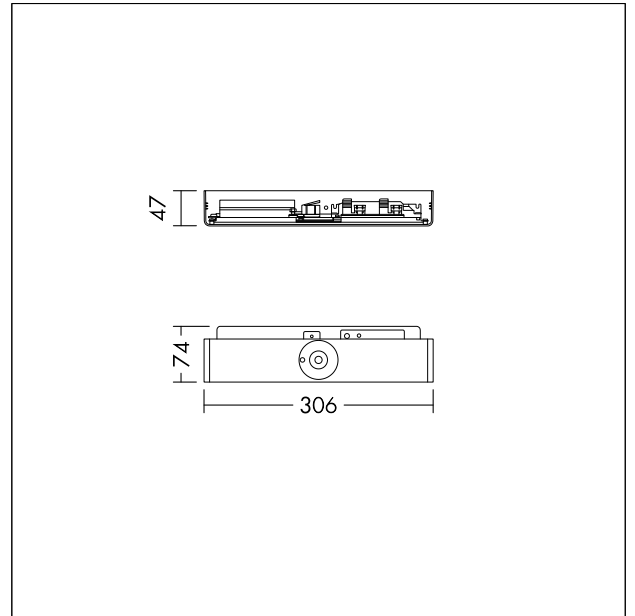


E3 Plug & Play, interchangeable modul

Exchange Endcap with Plug & Play Emergency Kit for 3 hours emergency operation. LiFePo4 battery, Manual Test, 2,5W emergency LED supplying 433lm. Compatible with ROXY D and ROXY D/I.
 Product dimensions: 74 mm x 306 mm x 47 mm, weight: 1.3 kg



TE_ROXY_F_Endcap_Emergency.jpg



TE_ROXY_M_E3_PLUG_PLAY.wmf

Light Distribution

STD - standard

- Light Source: LED
- Colour Rendering Index min.: 80
- Correlated colour temperature: 4000 Kelvin
- Chromaticity tolerance (initial MacAdam): 4
- Rated median useful life*:
L80 50000h at 25°C
- Ballast: 1x LED_Con
- Luminaire input power*: 3 W Power factor = 0.45
- Dimming: Fixed output

This product contains a light source of energy efficiency class E.