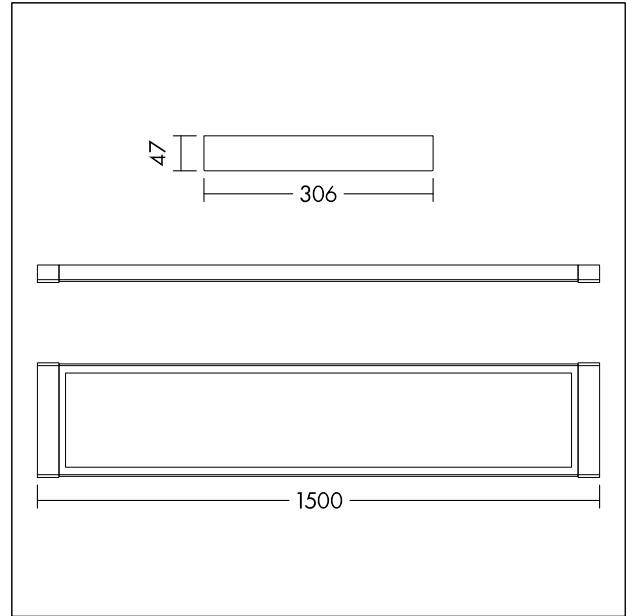


Surface mounted LED luminaire

Surface mounted LED luminaire for direct illumination with UGR<19. Gentle, soft and glare-free lighting for office and education applications with opal diffuser made of PS for fully homogenous illumination. Luminaire input power: 43 W Lifetime: 50.000h L80, Chromaticity tolerance (initial MacAdam): 4, Total luminous flux: 5450 lm, Luminaire efficacy: 127 lm/W, Colour rendering Ra > 80, colour temperature 4000 K. Tool-free installation (piano key terminal for up to 2.5 mm² wires). Flicker free. Suitable for surface and suspension mounting. Sensor, emergency light conversion, continuous row connector and suspension kit available as accessory. Input power adjustable on site by 4 step (FLEX1 - 100%, FLEX2 - 95%, FLEX3 - 90%, FLEX4 - 85%). Dimensions: 1500 x 306 x 47 mm, weight: 4.3 kg



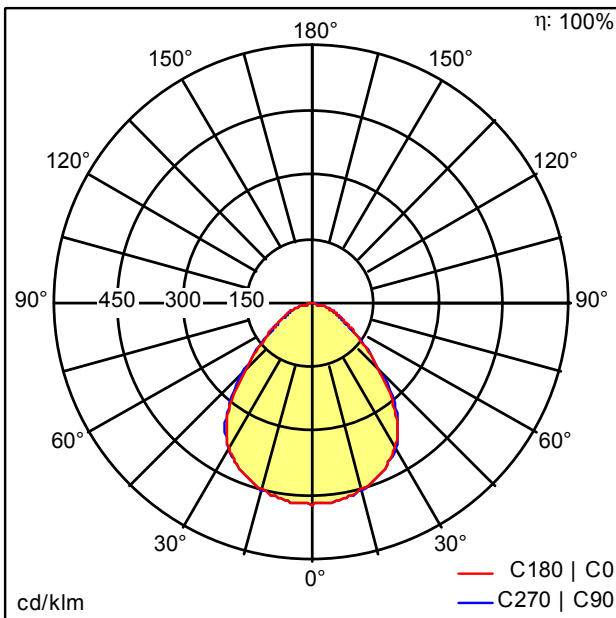
TE\_ROXY\_F\_1500\_SURF\_Persp.jpg



TE\_ROXY\_M\_1500.wmf

Light Distribution

STD - standard



TE\_ROXY\_1500\_D\_5500\_840.idt

- Light Source: LED
- Luminaire luminous flux\*: 5450 lm
- Luminaire efficacy\*: 127 lm/W
- Colour Rendering Index min.: 80
- Correlated colour temperature: 4000 Kelvin
- Chromaticity tolerance (initial MacAdam): 4
- Rated median useful life\*: L80 50000h at 25°C
- Ballast: 1x LED\_Con
- Luminaire input power\*: 43 W Power factor = 0.92
- Dimming: Fixed output
- Total harmonic distortion (THD): 20.00 %

All values marked with an \* are rated values. Luminous flux and connected electrical load are subject to an initial tolerance of +/- 10%. Unless stated otherwise, the values apply to an ambient temperature of 25°C.