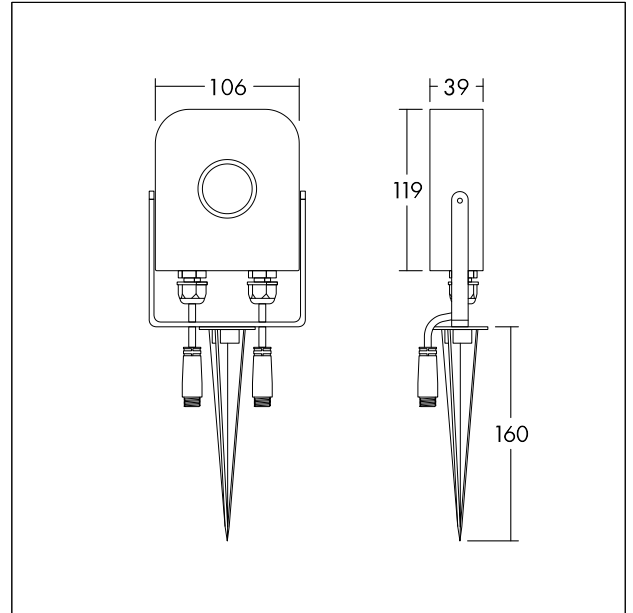


Sensor

IP65 sensor for motion detection via infrared with earth spike (aluminium die cast) including remote control to adapt sensor settings. Also suitable for wall-mounting. Ambient temperature -20°C up to +40°C. Compatible with THORNeco cable system. Integration to external systems by included open leads adapters. Switching load: max. 800W. Pre-wired with 20cm cable (H07RN-F 3G1,5 mm²) and connector for fast installation. Dimensions 295 x 106 x 39 mm, weight: 0.36 kg



TE_ECOconnect_F_SENSOR_complete_persp_remote_control.jpg



TE_ACC_M_SENSOR.wmf