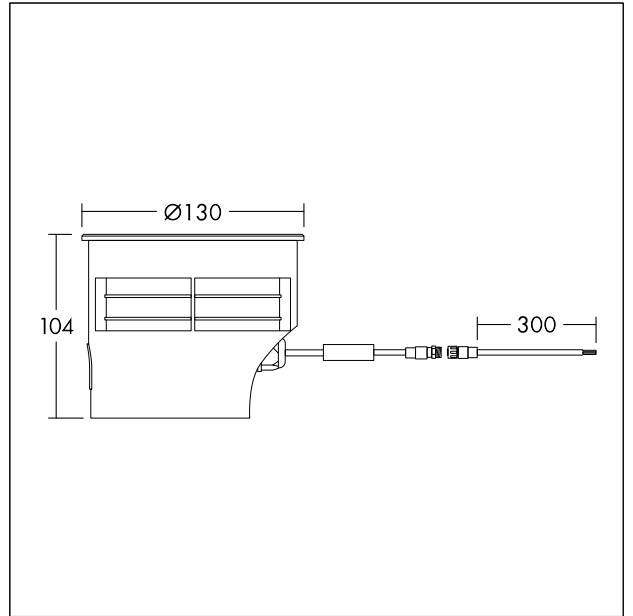


LED Inground Luminaire

Round, walk-over ground recessed IP67 LED luminaire for outdoor applications with stainless steel frames. Diffusers made of tempered glass with frosted finish. Colour Temperature 3000K (warm-white) with colour rendering index Ra80, LED service life: 50000 h before luminous flux is reduced to 80 % of the initial value. Power: 6W, 350 Lumen @ 58lm/W; IK09; IP66 and IP67; 230V. Pre-assembled with 15cm H07RN-F 3G1,5mm² cable (waterstop included) and connector for fast installation. Compatible with THORNeco cable system. Corrosion Class C4 - Minimum distance to Sea 5km. Product is not suitable for chlorine environments. Dimensions: Ø130 x 104 mm, weight: 0.95 kg



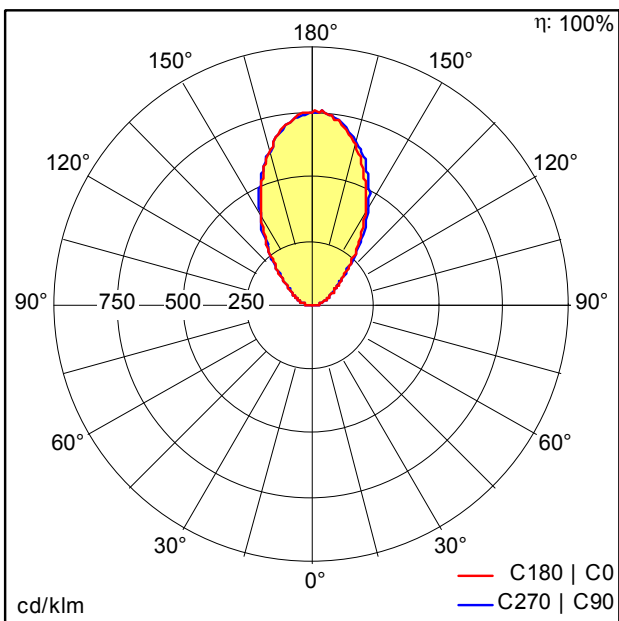
TE_ROSY_F_M_persp.jpg



TE_ROSY_M_130.wmf

Light Distribution

STD - standard



TE_ROSY_INGROUND_IP67_350_830.idt

- Light Source: LED
- Luminaire luminous flux*: 350 lm
- Luminaire efficacy*: 58 lm/W
- Colour Rendering Index min.: 80
- Correlated colour temperature: 3000 Kelvin
- Chromaticity tolerance (initial MacAdam): 6
- Rated median useful life*: L80 50000h at 25°C
- Ballast: 1x LED_Con
- Luminaire input power*: 6 W Power factor = 0.5
- Dimming: Fixed output

This product contains a light source of energy efficiency class E.

All values marked with an * are rated values. Luminous flux and connected electrical load are subject to an initial tolerance of +/- 10%. Unless stated otherwise, the values apply to an ambient temperature of 25°C.