

Accessory Lily spotlight

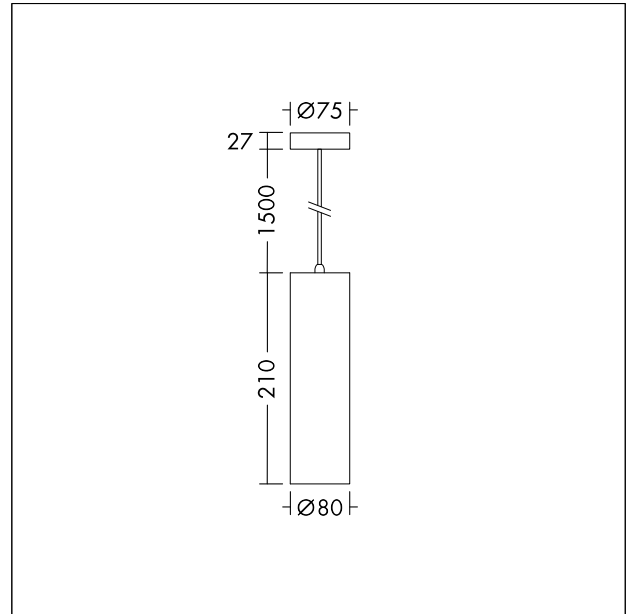
Matt white pendant can for LILY light engine as an accessory

Material: die-cast aluminium white

Weight: 0.38 kg



TE_LILY_F_can_pers_WH_BK.jpg



TE_LILY_M_CAN.wmf