

R2L2

THORN

96631841 RX 36L105-740 NR BPS CL1 GY



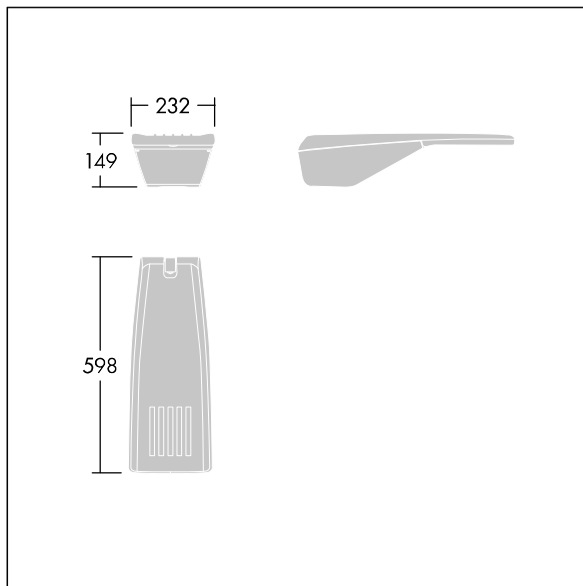
R2L2

An extra small size LED road lighting lantern with 36 LEDs driven at 1,05A with Narrow Road optic. LED driver. Class I electrical, IP66, IK09. Housing: die-cast aluminium (EN AC-44300), powder coated textured light grey 150 (close to RAL9006). Enclosure: tempered glass. Screws: stainless steel, Ecolubric® treated. Post top (Ø60/76mm, tilted 0°/5°/10°) or lateral (Ø34/42/49/60mm, tilted 0°/-5°/-10°/-15°) mounting. For lateral mounting to Ø34/42mm spigots an adaptor (59005840 R2L2 MA34/42 NPA) should be ordered separately. Equipped with 50% power reduction circuit, effective 3 hours before and 5 hours after a calculated midnight. It can be deactivated at installation with an easily accessible internal switch. Complete with 4000K LED.

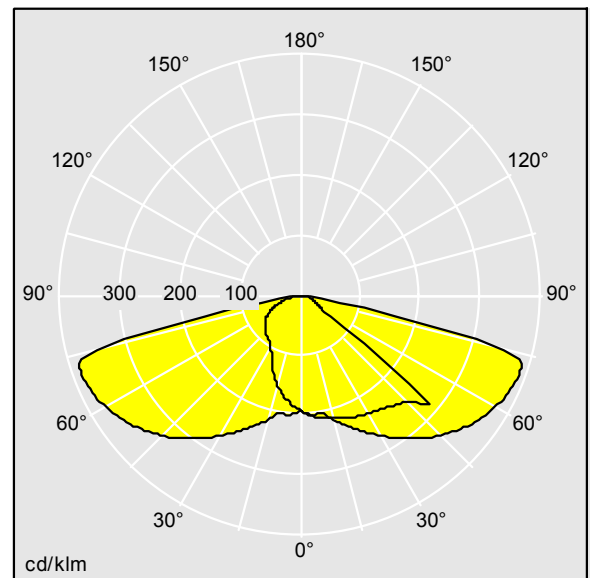
Dimensions: 598 x 232 x 149 mm
Luminaire input power: 117 W
Luminaire luminous flux: 14979 lm
Luminaire efficacy: 128 lm/W
Weight: 7.7 kg
Scx: 0.05 m²



TLG_R2L2_F_XS_MTP_PDBGY.jpg



TLG_R2L2_M_LDXS.wmf



TL_RX36L105NR740.idt

Lamp position: STD - standard
Light Source: LED
Luminaire luminous flux*: 14979 lm
Luminaire efficacy*: 128 lm/W
Lamp efficacy: 128 lm/W
Colour Rendering Index min.: 70

Correlated colour temperature*: 4000 Kelvin
Chromaticity tolerance (initial MacAdam)*: 5
Rated useful life (B10)*:
100000h L85 at 25°C
Ballast: 1x LED_DRV
Luminaire input power*: 117 W Power factor = 0.99
LOR: 1,00 ULOR: 0,00 DLOR: 1,00

All values marked with an * are rated values. Thorn uses tried and tested components from leading suppliers, however there may be isolated instances of technology-related failures of individual LEDs during the rated product lifetime. International standards set the tolerance in initial flux and connected load at ±10%. Colour temperature is subject to a tolerance of up to %s Kelvin from the nominal value. Unless stated otherwise, the values apply to an ambient temperature of 25°C. In most products the failure of one LED point causes no functional impairment to the lighting performance of the luminaire and is therefore no reason for complaint. Unless otherwise stated all Thorn LED products are suitable for unrestricted use (rated RG0 or RG1) with regard photobiological blue light safety (IEC/EN60598-1).