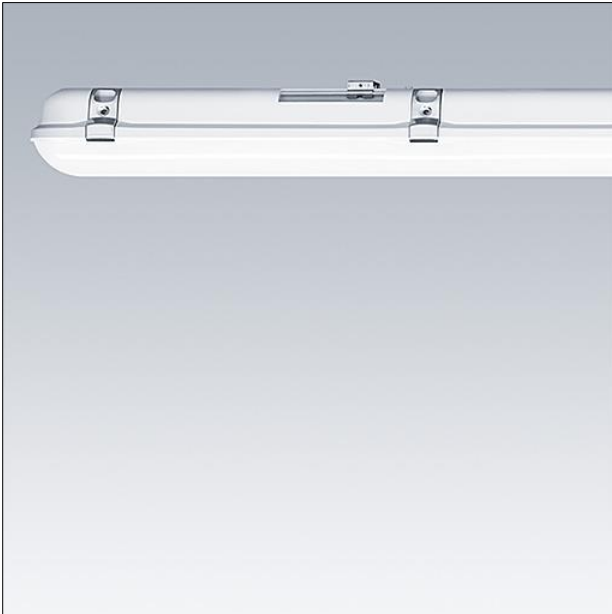


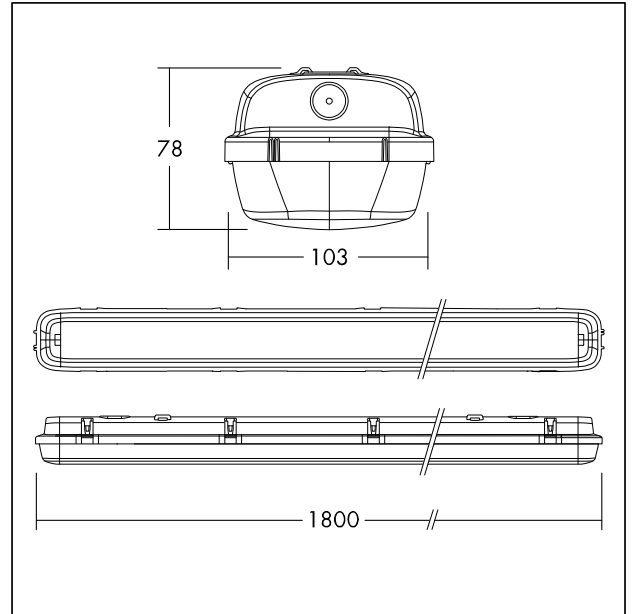
moisture-proof diffuser luminaire

An IP65 rated LED luminaire for high quality low energy lighting in wet, dusty environments. High quality opal polycarbonate (UV stabilised) diffuser ensures uniform lighting without visible spots. High efficacy, up to 60% energy saving compared with T8 fluorescent. The traditional design gives an aesthetically pleasing appearance – ideal for point for point replacement on refurbishment projects. 3h emergency light.

- Body: polycarbonate
- Diffuser: opal polycarbonate (UV stabilised)
- Brackets: stainless steel
- Weight: 2,6 kg



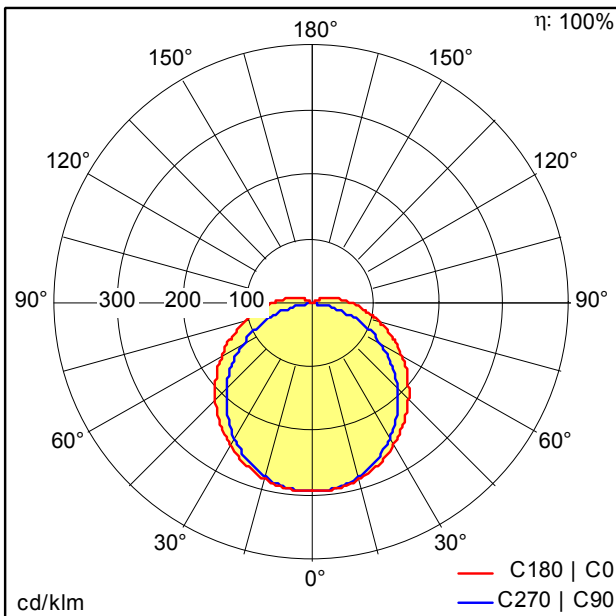
TE_JULIE_F_side.jpg



TE_JULIE_M_IID2_1800.wmf

Light Distribution

STD - standard



TE_JULIE_1800_LED_IP65_8600_840_E3.lcd

- Light Source: LED
- Luminaire luminous flux*: 8600 lm
- Luminaire efficacy*: 113 lm/W
- Colour Rendering Index min.: 80
- Correlated colour temperature: 4000 Kelvin
- Chromaticity tolerance (initial MacAdam): 4
- Rated median useful life*: L70 50000h at 25°C
- Ballast: 1x LED_Con
- Luminaire input power*: 76 W Power factor = 0.9
- Dimming: Fixed output

All values marked with an * are rated values. Unless stated otherwise, the values apply to an ambient temperature of 25°C.