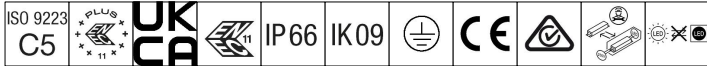


Isaro Pro

92972450 IP 72L50 740 WS BP 3550 CL1 M42 GY-S

THORN



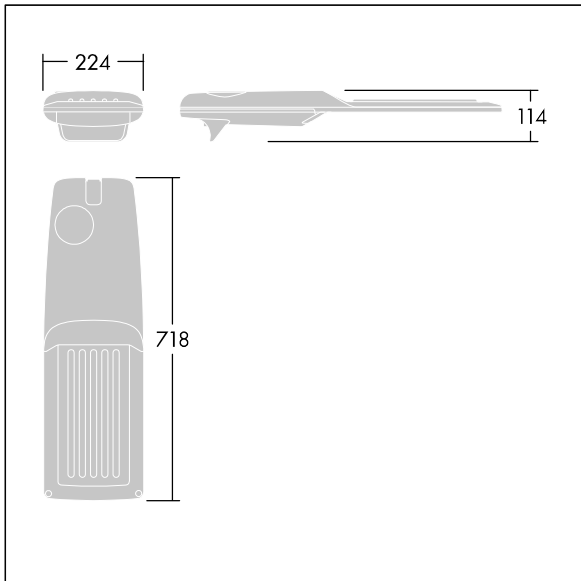
Isaro Pro

A state of the art LED road lighting lantern (medium) with 72 LEDs driven at 500mA with Wide Street optic. Programmable LED driver. Class I electrical, IP66, IK09. Housing: die-cast aluminium (EN AC-44300), powder coated textured Light grey textured (150) - partly painted. Spigot: die-cast aluminium (EN AC-44300), unpainted. Enclosure: 5mm thick glass. Fixings: stainless steel. Supplied with Ø42mm spigot adaptor which can be fitted for post-top (0°/5°/10°/15°/20° tilt) or side-entry (-15°/-10°/-5°/0°/5°/10°/15° tilt). BPxyzz: Autonomous bi-power reduction (x: hours before midnight, y: hours after midnight, zz: reduction (%)) Complete with 4000K LED. Surge protection: 10kV single pulse common mode and 8kV multipulse common mode and 6kV multipulse differential mode. If permanent DALI system is connected, 6kV multipulse common and differential mode.

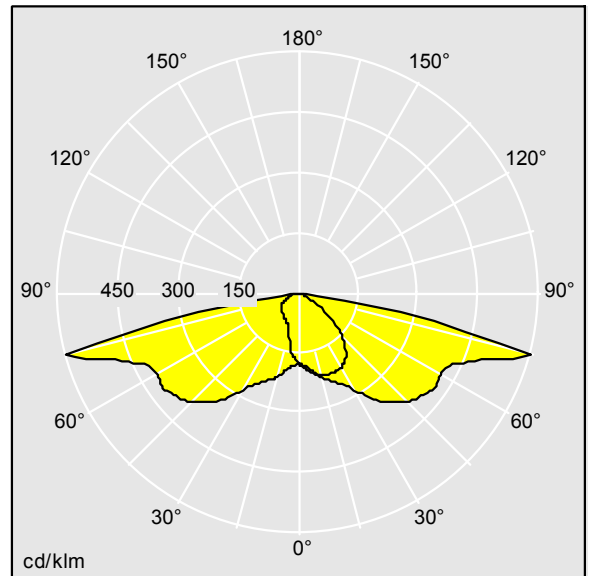
Dimensions: 718 x 224 x 114 mm
Luminaire input power: 106 W
Luminaire luminous flux: 16497 lm
Luminaire efficacy: 156 lm/W
Weight: 7.7 kg
Scx: 0.066 m²



TLG_ISRP_F_M_PDB_SIL.jpg



TLG_ISRP_M_LD2.wmf



Light Source: LED
Luminaire luminous flux*: 16497 lm
Luminaire efficacy*: 156 lm/W
Colour Rendering Index min.: 70
Ballast: 1 x 87500716 LCO 135/200-1050/ 220 o4a NF C EXC3

Correlated colour temperature: 4000 Kelvin
Chromaticity tolerance (initial MacAdam): 5
Rated useful life (B10)*: L95 100000h at 25°C
Luminaire input power*: 106 W Power factor = 0.98
Dimming: PROG
LOR: 1,00 ULOR: 0,00 DLOR: 1,00

This product contains a light source of energy efficiency class D.