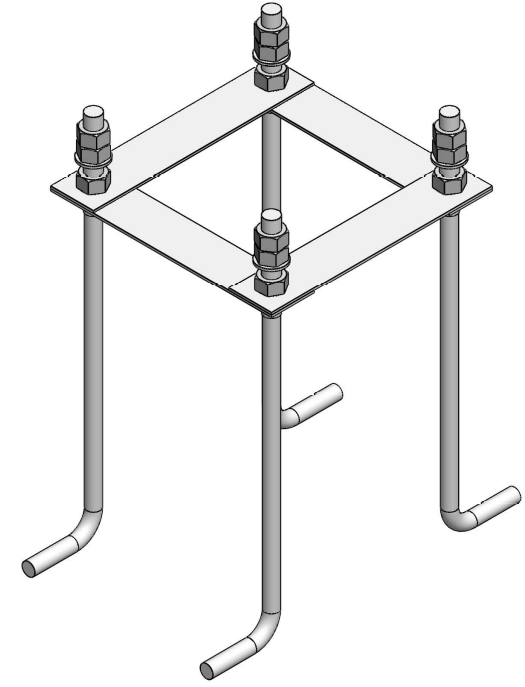


A-A (1 : 4)



REVİZYONLAR / REVISIONS				
REV.	TANIM DESCRIPTION	TARİH DATE	ONAY APPROVED	
<b>GENEL NOTLAR GENERAL NOTES</b>				
TÜM ÖLÇÜLER mm'DİR. ALL DIMENSIONS ARE IN mm.				
TÜM ÇELİK ELEMANLAR CİVATA, SOMUN VE RONDELALAR SICAK DALDIRMA GALVANİZDİR.(EN ISO 1461) ALL STEEL ITEMS BOLTS,NUTS & WASHERS TO BE HOT-DIP GALV.D.S PER (EN ISO 1461)				
TASARIM KRİTERLERİNE GÖRE CİVATALAR (ISO 898) 6.8 & 6.8 & 8.8 OLARAK KULLANILABİLİR. BOLTS CAN BE USED AS (ISO 898) 5.8 & 6.8 & 8.8 ACCORDING TO DESIGN CRITERIA.				
ADI - SOYADI NAME-SURNAME	TARİH DATE	İMZA SİNG	MALZEME MATERIAL	TASARIM NOTLARI DESIGN NOTES
CİZEN DRAWN BY	NEKAPLAN	5.03.2020	GÖVDE SHAFT	S235
KONTROL CONTROL	I.YUCEL	5.03.2020	FLANS FLANGE	S235
ONAY APPROVAL	K.CANBALOGLU	5.03.2020	DİĞER OTHER	S235
<b>(PAD-SA-2019) - AC Set-5 OUTLINE</b>				
SİP/TEK NO ORDER NUMBER	STANDART			
PAFTA NO DRAWING NUMBER	(PAD-SA-2019) - AC SET-5			
TARİH DATE	5.03.2020			
AGIRLIK WEIGHT				REV 0
BÖLÜM DEPARTMENT	POLİGON	SHEET 1 OF 1	ÖLÇEK SCALE 1:5	A3