



# Ledinaire SlimDownlight

## DN065B G4 20S/830\_840\_865 PSU-E D200 RD

Ledinaire SlimDownlight, 19 W, 2000 lm, 3000 K, Beam angle 100°, White

The LEDINAIRE range contains a selection of popular off-the-shelf LED luminaires that come with the high Philips quality levels at a competitive price. Reliable, energy-efficient and affordable – just what you need

### Product data

General Information		Operating and Electrical	
Light source replaceable	No	Luminaire light beam spread	110°
Number of gear units	1 unit	Unified glare rating CEN	28
Driver included	Yes	Photobiological safety according to EN 62471	RG0
Value ladder	Value	Input Voltage	220 to 240 V
Warranty period	5 years	Input Frequency	50 or 60 Hz
Light Technical		Inrush current	6 A
Luminous Flux	2,000 lm	Inrush time	0.15 ms
Correlated Color Temperature (Nom)	3000 K	Power Consumption	19 W
Luminous Efficacy (rated) (Nom)	105 lm/W	Power Factor (Fraction)	0.9
Color rendering index (CRI)	80	Connection	Push-in connector 3-pole
Light source color	3000/4000/6500	Cable	Cable with connector 2-pole
Optic type	Beam angle 100°	Number of products on MCB of 16 A type B	126

# Ledinaire SlimDownlight

Suitable for random switching	Not applicable
Protection class IEC	Safety class II
Total harmonic distortion	20 %

## Controls and Dimming

Dimmable	No
Constant light output	No

## Mechanical and Housing

Housing Material	Metal
Reflector material	-
Optic material	Acrylate
Optical cover material	Polycarbonate
Fixation material	Steel
Housing Color	White
Optical cover finish	Frosted
Overall height	25 mm
Overall diameter	218 mm
Ingress protection code	IP20/44 [Finger-protected; wire-protected, splash-proof]
Mech. impact protection code	IK03 [0.35 J reinforced]
Net Weight (Piece)	0.420 kg

## Approval and Application

Insulation Coverage	Full coverage acc. to IEC 60598-1 9.0
Rating	
Glow-wire test	Temperature 650 °C, duration 30 s
Flammability mark	For mounting on normally flammable surfaces
CE mark	Yes
EU RoHS compliant	Yes
Flickering value (PstLM) -	0.9
Flickering value as per EN 61000-3-3	

Stroboscopic effect visibility measure (SVM)	0.3
Ambient temperature range	-20 to +40 °C

## Initial Performance (IEC Compliant)

Luminous flux tolerance	+/-10%
Initial chromaticity	(ANSI3000K, 0.4339, 0.40334000K0.3761;0.3658ANSI6500K0.3123;0.3283) 5SDCM
Power consumption tolerance	+/-10%

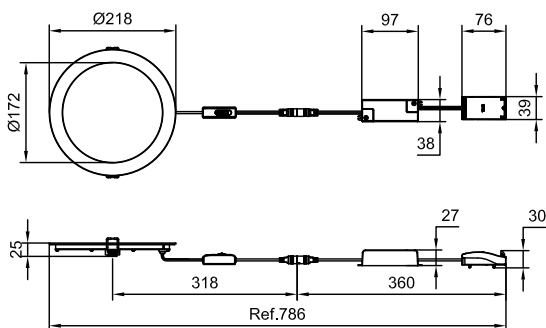
## Over Time Performance (IEC Compliant)

Median useful life	50,000 hour(s)
L70B50	
Lumen maintenance at median useful life* 50000 h	L70

## Product Data

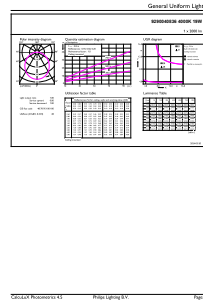
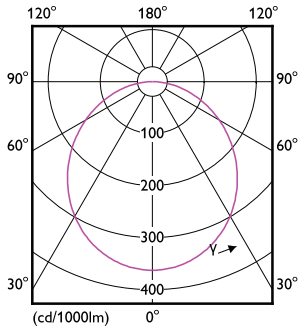
Order product name	DN065B G4 20S/830_840_865 PSU-E D200 RD
Full product name	DN065B G4 20S/830_840_865 PSU-E D200 RD
Full product code	872016930397300
Order code	929004083632
Material Nr. (12NC)	929004083632
Numerator - Quantity Per Pack	1
EAN/UPC - Product/Case	8720169303973
Numerator - Packs per outer box	12
EAN/UPC - Case	8720169303980

## Dimensional drawing



# Ledinaire SlimDownlight

## Photometric data



Light Distribution Diagram - DN065B G4 20S/830\_840\_865 PSU-E D200 RD

General uniform lighting - DN065B G4 20S/830\_840\_865 PSU-E D200 RD

