



Dynalite Signal Dimmer Controllers

DDBC320-DALI

3 DALI outputs, up to 192 DALI devices including 3 x 20 A feed-through switched circuits for DALI driver mains supply.

3 DALI outputs, up to 192 DALI devices including 3 x 20 A feed-through switched circuits for DALI driver mains supply.

Product data

General information	
CE mark	CE mark
Remarks	Please download the Lighting - Product Data Sheet for more information and ordering options
EU RoHS compliant	Yes

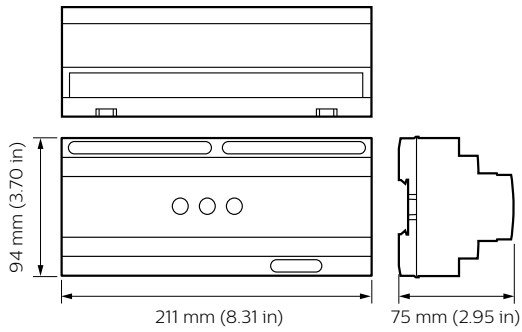
Application conditions	
Ambient temperature range	0 to +40 °C

Product data	
Full product code	871016350642500

Order product name	DDBC320-D
EAN/UPC – product	8710163506425
Order code	50642500
SAP numerator – quantity per pack	1
Numerator – packs per outer box	1
SAP material	913703031209
Net Weight (Piece)	0.410 kg

Dynalite Signal Dimmer Controllers

Dimensional drawing



DDBC320-D

