



# PDDEG-S

Ethernet Gateway - Supervisor

## Secure remote connection to the Dynalite System

The Philips Dynalite PDDEG-S provides gateway services between Ethernet and DyNet devices, enabling secure online access to the Philips lighting control system.

The gateway enables lighting control via a dedicated Philips app, and access to the timeclock, schedule editor and diagnostic functions via an inbuilt web server.

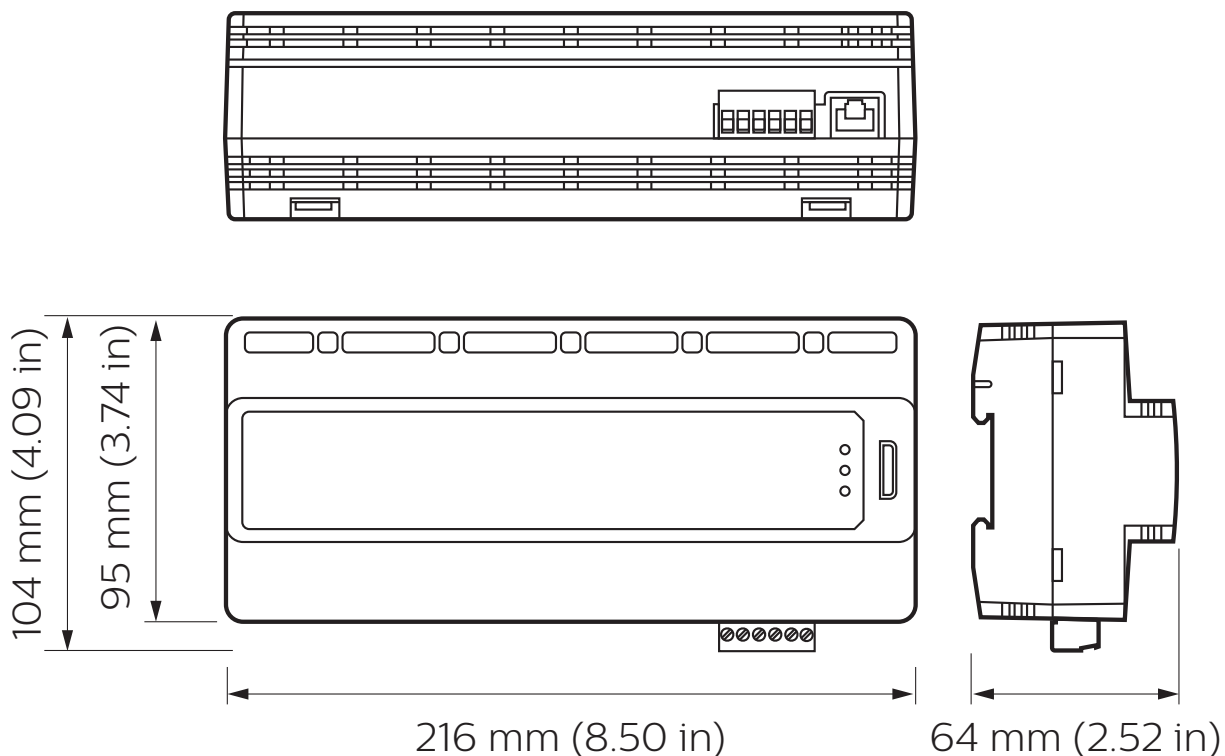
# PDDEG-S

## Secure remote connection to the Dynalite System

- **System supervisory functions** – Includes online/offline status reporting for connected devices, network traffic logging, secure remote firmware update and lighting control metrics. Inbuilt timeclock and schedule manager allow the user to manage automated operations and task scheduling.
  - **Multiple integration options** – Supports TCP/UDP, IPv4/IPv6, unicast/multicast/broadcast, DyNet1, DyNet2, Fidelio, BACnet\*, and 'Text and Binary Integration' protocols. Capable of supporting hundreds of socket connections concurrently.
  - **Flexible connectivity options.**– provides secure cloud connectivity to the building with user configurable routing and a choice of RS-485 and Ethernet bridging functions.
- \* BACnet integration requires additional license, see Ordering Codes.
- **Powerful custom task engine** – Allows users or third-party systems to run macros such as 'After Hours', 'Shut Down', 'Welcome' and more.
  - **Web server and app access** – Enables remote access for lighting control, schedule editing and device configuration.
  - **Secure connection to Dynalite controllers** – Each PDDEG-S supports encrypted communication with up to 25 Ethernet-equipped controllers. including the DDBC320-DALI and DDRC-GRMS-E.

---

## Dimensions



# Specifications

Due to continuous improvements and innovations, specifications may change without notice.



**PDDEG-S**  
Ethernet Gateway - Supervisor

## Electrical

Supply Type	Single-Phase
Supply Voltage	100-277 VAC
Supply Current	250 mA
DyNet DC Output Voltage	12 VDC
DyNet DC Output Current	300 mA
IEC Overvoltage Category	III

## Control

Communication Ports	1 x RS-485 1 x Ethernet (10/100 baseT)
Supported Protocols	DyNet TCP/IP (IPv4, IPv6) BACnet*
Dry Contact Inputs	1 (AUX)
User Input	1 x service switch
Indicators	1 x Service LED 1 x Bluetooth LED** 1 x Ethernet LED 1 x Cloud LED

\* BACnet integration requires additional license, see Ordering Codes.

\*\* Bluetooth function not currently available.

## Physical

Dimensions (H x W x D)	95 x 216 x 64 mm (3.74 x 8.50 x 2.52 in)
Packed Weight	0.45 kg (0.99 lb)
Construction	Polycarbonate DIN-rail case (12 unit)
Communication Ports	1 x RJ45 1 x 6-way pluggable screw terminal
Communication Terminal Conductor Size	2.5 mm <sup>2</sup> (#12 AWG) (max)
Supply Terminals	3 x screw terminal
Supply Terminal Conductor Size	5 mm <sup>2</sup> (#10 AWG) (max)

## Environment\*\*\*

Operating Temperature	0° to 50°C ambient (32° to 122°F)
Storage/Transport Temperature	-25° to 70°C ambient (-13° to 158°F)
Relative Humidity	0 to 90% non-condensing
IEC Pollution Degree	II

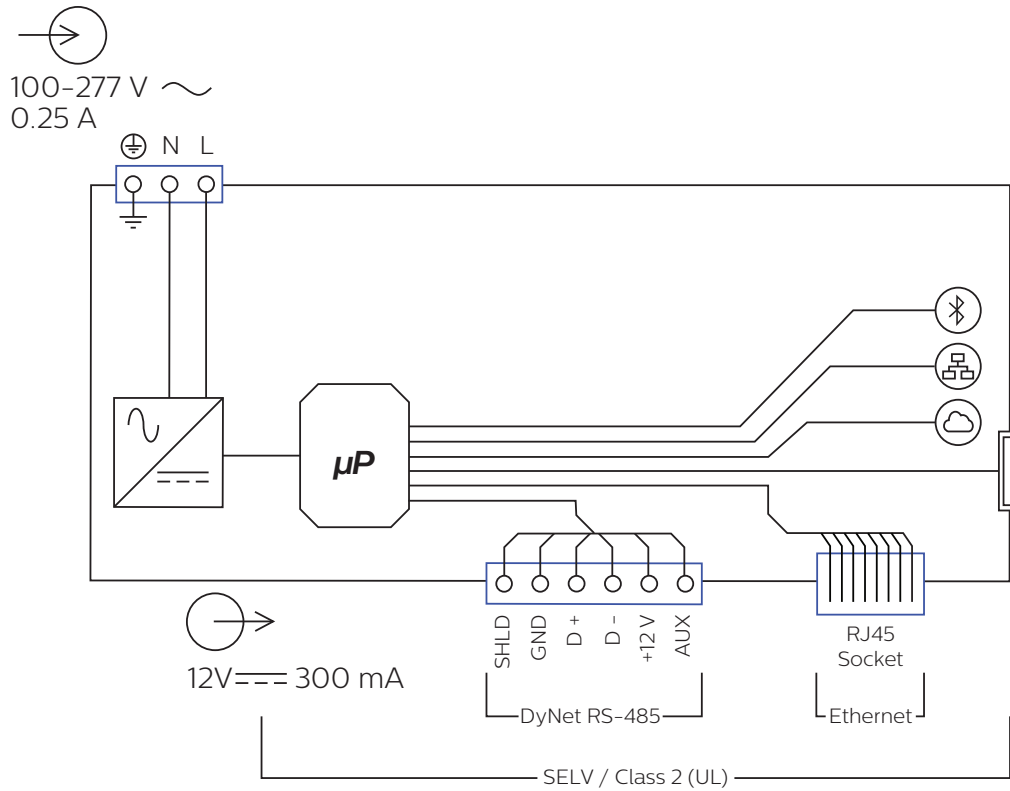
## Compliance

Certification	CE, RCM, UL/cUL, FCC, UKCA, RoHS, CAN ICES-3 (B)/NMB-3 (B)
---------------	---

\*\*\* For indoor installation only



# Electrical



## Ordering Codes

### Product

PDDEG-S

### 12NC

913703027409

### BACnet License

PDDEG-S BACnet 500 point license

SW913703370509

PDDEG-S BACnet 1k point license

SW913703370609

PDDEG-S BACnet 5k Point license

SW913703370709

PDDEG-S BACnet 10k Point license

SW913703370809



© 2023 Signify Holding. All rights reserved. Specifications are subject to change without notice. No representation or warranty as to the accuracy or completeness of the information included herein is given and any liability for any action in reliance thereon is disclaimed. Philips and the Philips Shield Emblem are registered trademarks of Koninklijke Philips N.V. All other trademarks are owned by Signify Holding or their respective owners.