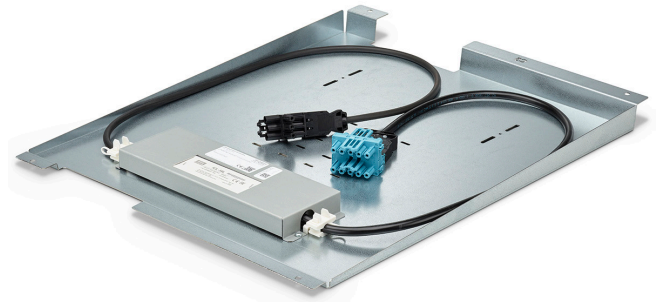


NatureConnect

by Signify



NatureConnect island gear tray

Steel gear tray that contains inrush current limiter to be installed on NatureConnect large or small islands.

Operating and Electrical

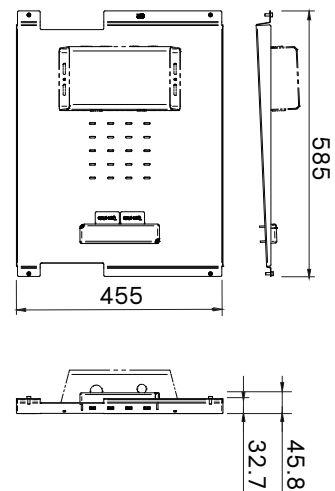
Input voltage	220–240 V
Input frequency	50 to 60 Hz
Input current	0.5 A
Inrush current	55 A
Inrush time	290 us

Mechanical and Housing

Dimensions (LxWxH)	585 x 455 x 45.8 mm
Gear tray material	Steel
Net weight product	1.5 kg

Product Data

822274820232	LP906P NC Island GT Inrush controller
--------------	---------------------------------------



© 2023 Signify Holding.

All rights reserved. The information provided herein is subject to change, without notice. Signify does not give any representation or warranty as to the accuracy or completeness of the information included herein and shall not be liable for any action in reliance thereon. The information presented in this document is not intended as any commercial offer and does not form part of any quotation or contract, unless otherwise agreed by Signify. All trademarks are owned by Signify Holding or their respective owners.