



# HF-Regulator II for TL5 lamps

HF-R 280 TL5/PL-L EII 220-240V 50/60Hz

High-frequency electronic dimming ballast, using the analog protocol (1-10 V) for TL5 HE/HO and TL5 Eco lamps

## Product data

### • General Information

Application Code	EII
Type Version	mk2
Lamp Type	TL5/PL-L
Number Of Lamps	2 piece/unit
Number Of Products On MCB (16A Type B) (Nom)	9
Automatic Restart	Yes

### • Operating and Electrical

Input Voltage	220 to 240 V
Input Frequency	50-60_1 Hz
Operating Frequency (Max)	105 kHz
Operating Frequency (Min)	44 kHz
Ignition Method	Programmed Start
Crestfactor (Max)	1.7
Power Factor 100% Load (Nom)	0.96
Ignition Time (Max)	0.2 s
Mains Voltage Performance (AC)	-8%+6%
Mains Voltage Safety (AC)	-10%+10%
Earth Leakage Current (Max)	0.5 mA
Inrush Current Width	0.15 ms
Power Losses (Nom)	13.2 W
Inrush Current Peak (Max)	40 A

### • Wiring

Connector Type Input Terminals	WAGO 251 universal connector [ Suitable for both automatic wiring (ALF and ADS) and manual wiring]
Connector Type Output Terminals	WAGO 251 universal connector [ Suitable for both automatic wiring (ALF and ADS) and manual wiring]
Connector Type Control Input Terminals	WAGO 251 universal connector [ Suitable for both automatic wiring (ALF and ADS) and manual wiring]
Wire Striplength	8.0-9.0 mm
Dual Fixture Master/Slave	- [ not specified]
Control Input Terminal Cross Section	0.50-1.00 mm <sup>2</sup>
Input Terminal Cross Section	0.50-1.00 mm <sup>2</sup>
Output Terminal Cross Section	0.50-1.00 mm <sup>2</sup>
Auto Insert (ALF/ADS) Wire Cross Section	0.5 mm <sup>2</sup>

### • System characteristics

Rated Ballast-Lamp Power	80 W
--------------------------	------

### • Temperature

T-Ambient (Max)	50 °C
T-Ambient (Min)	-20 °C
T-Storage (Max)	80 °C
T-Storage (Min)	-25 °C
Stable Lamp Operation Temperature	Not specified

**PHILIPS**

# HF-Regulator II for TL5 lamps

T-Ignition (Max) 50 °C  
T-Ignition (Min) 0 °C

## • Controls and Dimming

Control Interface 1-10V  
Regulating Level 1%-100%  
Power  
Control Input Yes (Basic insulation)  
Protection

## • Mechanical and Housing

Housing L 425x30x21

## • Emergency Operation

Battery Voltage Lamp Ignition 220 V  
Battery Voltage Lamp Operation 220-276

## • Approval and Application

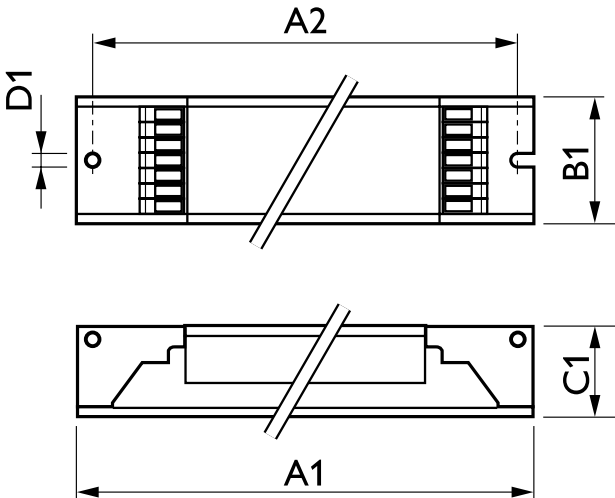
Energy Efficiency Index A1  
EMI 9 kHz ... 30 MHz EN55015  
EMI 30 MHz ... 1000 MHz Level = Class  
Safety Standard IEC 61347-2-3  
Performance Standard IEC 60929

Quality Standard ISO 9000:2000  
Environmental Standard ISO 14001  
Harmonic Current Emission Standard IEC 61000-3-2  
EMC Immunity Standard IEC 61547  
Vibration Standard IEC 68-2-6 Fc  
Bumps Standard IEC 68-2-29 Eb  
Humidity Standard EN 61347-2-3 clause 11  
Temperature Marking Yes  
Emergency Standard IEC 60598-2-22  
Hum And Noise Level Inaudible

## • Product Data

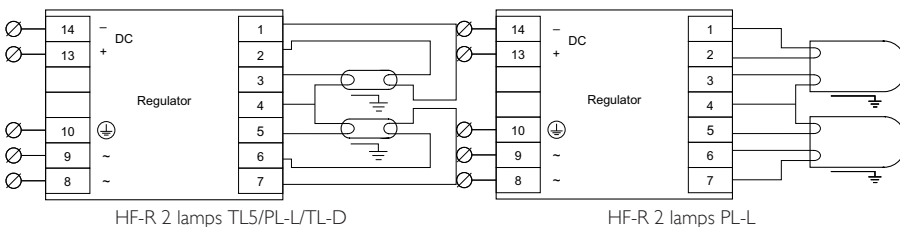
Full product code 871150091065330  
Order product name HF-R 280 TL5/PL-L EII 220-240V 50/60Hz  
EAN/UPC - Product Code 8711500910653  
Order code 913700609166  
Numerator - Quantity Per Pack 1  
Numerator - Packs per outer box 12  
Material Nr. (12NC) 913700609166  
Net Weight (Piece) 0.417 kg

## Dimensional drawing



## HF-R 280 TL5/PL-L EII 220-240V 50/60Hz

Product	D1	C1	A1	A2	B1
HF-R 280 TL5/PL-L EII 220-240V 50/60Hz	4.2 mm	22 mm	425 mm	415 mm	30 mm





© 2015 Philips Lighting Holding B.V.  
All rights reserved.

Specifications are subject to change without notice. Trademarks are the property of Koninklijke Philips N.V. (Royal Philips) or their respective owners.

[www.philips.com/lighting](http://www.philips.com/lighting)

2015, December 23  
data subject to change