



# MASTER CosmoWhite CPO-TW & CPO-TW Xtra

MASTER CosmoWhite CPO-TW Xtra 60W/728 PGZ12

New-generation ceramic metal halide lamps used in Outdoor offering efficient and pleasant white light

## Product data

### • General Characteristics

Cap-Base	PGZ12
Bulb	T19 [T 19mm]
Bulb Finish	Clear
Operating Position	any [Any or Universal (U)]
Life to 5% failures, horiz.	21500 hr
Life to 10% failures, horiz.	24000 hr
Life to 20% failures, horiz.	27000 hr
Life to 50% failures, horiz.	32000 hr
LSF EL 2kh Rated, 12h cyc. hor	99 %
LSF EL 4kh Rated, 12h cyc. hor	99 %
LSF EL 6kh Rated, 12h cyc. hor	99 %
LSF EL 8kh Rated, 12h cyc. hor	99 %
LSF EL 12kh Rated, 12h cyc. hor	99 %
LSF EL 16kh Rated, 12h cyc. hor	99 %
LSF EL 20kh Rated, 12h cyc. hor	97 %
LSF EL 24kh Rated, 12h cyc. hor	90 %
LSF EL 30kh Rated, 12h cyc. hor	63 %

### • Light Technical Characteristics

Color Code	728 [CCT of 2800K]
CRI @ ±60% power	62 -

Color Designation (text)	White
Colour Temp. @ ±60% power	2715 K
Lum. Flux EL25°C, Rat. horiz.	7200 Lm
Luminous Flux @ ±60% power	3240 Lm
Lum Effic Rat EL 25°C horiz.	120 Lm/W
Luminous Efficacy @ ±60% power	90 Lm/W
Color Rendering Index, horiz	70 (min), 73 (nom) Ra8
Color Temperature, horizontal	2800 K
Color Temp. Technical, horiz.	2760 K
LLMF EL 2000h Rated, horiz.	92 %
LLMF EL 4000h Rated, horiz.	90 %
LLMF EL 6000h Rated, horiz.	90 %
LLMF EL 8000h Rated, horiz.	90 %
LLMF EL 12000h Rated, horiz.	89 %
LLMF EL 16000h Rated, horiz.	87 %
LLMF EL 20000h Rated, horiz.	86 %
LLMF EL 24000h Rated, horiz.	84 %
LLMF EL 30000h Rated, horiz.	82 %



asimpleswitch.com

# PHILIPS

# MASTER CosmoWhite CPO-TW & CPO-TW Xtra

Chromaticity Coordinate X	453 -
Chromaticity Coordinate Y	405 -
Chrom. Coord. X @ ±60% power	461 -
Chrom. Coord. Y @ ±60% power	414 -

## • Electrical Characteristics

Lamp Wattage	60 W
Lamp Wattage EL 25°C, Rated	36.0 W
Lamp Wattage EL 25°C, Nominal	60.0 W
Lamp Voltage	92 V
Lamp Current EL	0.644 A
Lamp Current EL at ±60% power	0.383 mA
Ignition Time	30 (max) s
Run-up time 90%	3 (max) min
Dimmable	Yes
Re-ignition Time [sec]	900 (max) s
Ratio scotopic/photopic lumens	1.15 -

## • Environmental Characteristics

Energy Efficiency Label (EEL)	A+
Mercury (Hg) Content	2 mg
Energy consumption kWh/1000h	66 kWh

## • UV-related Characteristics

Damage Factor D/fc PET (NIOSH)	0.17 - 8 (min) h500lx
--------------------------------	--------------------------

## • Luminaire Design Requirements

Cap-Base Temperature	300 (max) C
Bulb Temperature	400 (max) C

## • Product Dimensions

Overall Length C	132 (max) mm
Diameter D	19 (nom), 20 (max) mm
Light Center Length L	59 mm
Arc Length O	14 mm

## • Product Data

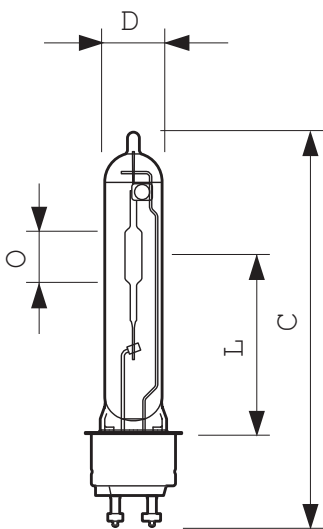
Order code	928088505127
Full product code	928088505127
Full product name	MASTER CosmoWhite CPO-TW Xtra 60W/728 PGZ12
Order product name	MST CosmoWh CPO-TW Xtra 60W/728 PGZ12
Pieces per pack	1
Packing configuration	12
Packs per outerbox	12
Bar code on pack - EAN1	8711500208514
Bar code on outerbox - EAN3	8711500208521
Logistic code(s) - 12NC	928088505127
ILCOS code	MT-60/728-H-PGZ12-20/132
Net weight per piece	0.034 kg

## Warnings and Safety

- Use only in totally enclosed luminaire, even during testing (IEC61167, IEC 62035, IEC60598)
- The luminaire must be able to contain hot lamp parts if the lamp ruptures

- Use only with electronic control gear
- Control gear must include end-of-life protection (IEC61167, IEC 62035)

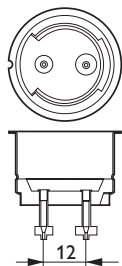
## Dimensional drawing



## MASTER CosmoWhite CPO-TW Xtra 60W/728 PGZ12

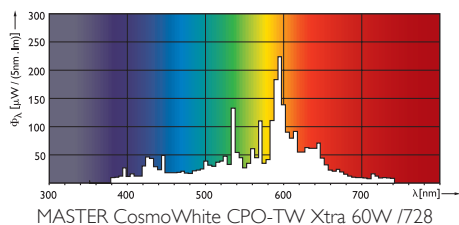
Product	C (Max)	D (Norm)	D (Max)	L (Norm)	O (Norm)
CPO-TW Xtra 60W/728 PGZ12	132	19	20	59	14

Dimensional drawing



PGZ12

Photometric data



© 2013 Koninklijke Philips N.V. (Royal Philips)  
All rights reserved.

Specifications are subject to change without notice. Trademarks are the property of Koninklijke Philips N.V. (Royal Philips) or their respective owners.

[www.philips.com/lighting](http://www.philips.com/lighting)

2013, November 12  
data subject to change