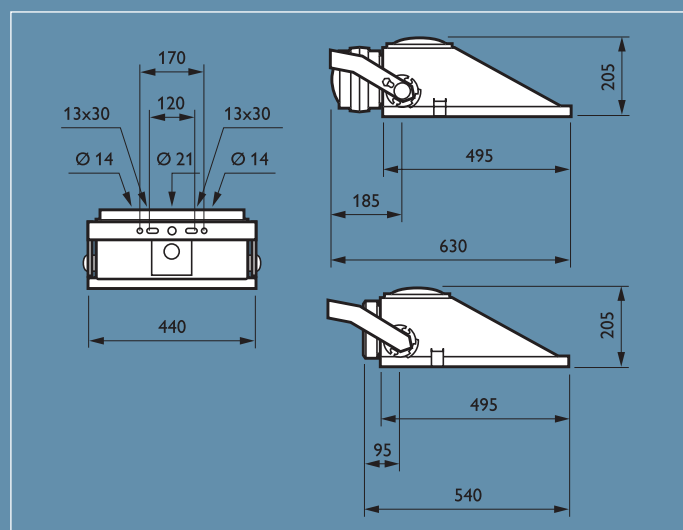




SNF210



Dimensions in mm



SNF210

These high-efficiency, integral gear floodlights for downlighting throw low-glare asymmetric beams with all the light distribution below the horizontal. They accommodate a metal halide lamp for good colour rendering, or a high-pressure sodium lamp for economical running costs.

Main applications

- Car parks
- Sport facilities
- Industrial areas
- Roundabouts
- Security

Suitable lamp types

- SON-T 150 - 600 W
- HPI-T 250 - 400 W

Features

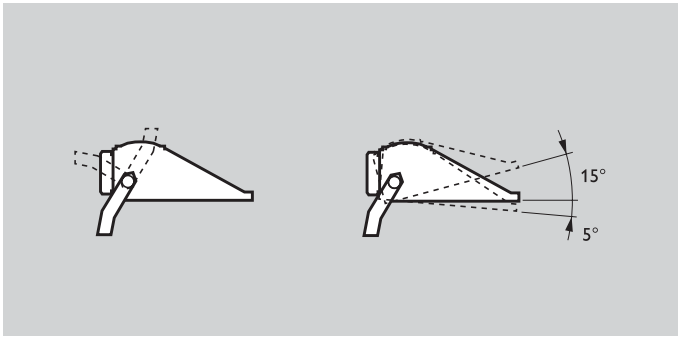
- The light is distributed entirely below the horizontal plane, ensuring excellent glare restriction
- Reflector with smooth faceted rear section and hammered main section combines high beam efficiency and outstanding glare suppression with good uniform distribution
- Horizontal mounting for down-lighting at a recommended height of 6-12 metres
- A protractor scale on the side of the floodlight indicates the angles between -5° and $+15^\circ$ at which the floodlight can be mounted
- Universal mounting bracket for ceiling, wall or surface mounting
- Fast in-position electrical connection and maintenance, and lamp replacement (lamp replacement does not affect beam adjustment)
- Gear incorporated in separate gear compartment at rear of housing; version also available without gear.

Materials and finish

Non-corrosive, high-pressure diecast aluminium housing, painted black; injection-moulded polycarbonate/polyamide gear box, black; high-grade anodized aluminium reflector; 5 mm-thick toughened glass; silicone rubber seals; hot-dipped galvanized steel mounting bracket; red mounting caps. All external fixings in stainless steel.

Installation

Universal mounting bracket allows ceiling, wall or surface mounting. Through wiring is possible. Front glass in hinged window with quick-release clips for in-position lamp replacement without disturbing the aiming of the floodlight. Dust-proof and jetproof to IP 55; no internal cleaning required. Maximum ambient temperature 50°C .



Adjustment possibilities

Preferred selection

Product ID	Weight (kg)	European Order Code (EOC)
SNF210 SON-T150W 230V SP	9.7	22048200
SNF210 SON-T250W 230V SP	14.6	02079200
SNF210 SON-T400W 230V SP	16.4	02107200
SNF210 HPI-TP400W 230V	14.5	02163800

