



MASTERColour CDM-R Elite

MASTERColour CDM-R Elite 70W/930 E27 PAR30L 10D

Compact, very high-efficiency, long-life Ceramic Metal Halide discharge reflector lamp producing crisp white sparkling light with high color rendering

Product data

• General Characteristics

Cap-Base	E27
Bulb	PAR30L [PAR 3.75 inch/95mm Long]
Bulb Finish	Clear
Operating Position	any [Any or Universal (U)]
Life to 5% failures EM	5500 hr
Life to 5% failures EL	9000 hr
Life to 10% failures EM	6500 hr
Life to 10% failures EL	10000 hr
Life to 20% failures EM	8000 hr
Life to 20% failures EL	12000 hr
Life to 50% failures EM	12000 hr
Life to 50% failures EL	15000 hr

• Light Technical Characteristics

Beam Description	Spot
Beam Angle	10 D
Beam Angle Technical	11 D
Luminous Intensity	61000 cd
Color Code	930 [CCT of 3000K]
Color Rendering Index	89 (min), 92 (nom) Ra8
Color Designation (text)	Warm White
Color Temperature	3000 K
Color Temperature Technical	2900 K
Forward Luminous Output	5100 Lm

Forward Luminous Efficacy	70 Lm/W
LLMF - end nominal lifetime	80 %
Forward Lum Maintenance 2000h	94 %
Forward Lum Maintenance 4000h	90 %
Forward Lum Maintenance 8000h	86 %
Forward Lum Maintenance 12000h	82 %
Forward Lum Maintenance 15000h	80 %
Design Mean Lumens	3800 Lm
Chromaticity Coordinate X	0.443 -
Chromaticity Coordinate Y	0.402 -
Luminous flux in 90° cone	4500 Lm

• Electrical Characteristics

System Power EL	80 W
Lamp Wattage	70 W
Lamp Wattage EL	70 W
Lamp Wattage EL 25°C, Rated	73.0 W
Lamp Voltage	86 V
Lamp Current EL	0.850 A
Ignition Time	30 (max) s
Run-up time 90%	3 (max) min
Re-ignition Time [min]	15 (max) min
Dimmable	No

PHILIPS

MASTERColour CDM-R Elite

Warm-up Time to 60% Light Outp 120 s

Diameter D 97 (max) mm
Overall Length C 4.84 (max) in [inch]

• Environmental Characteristics

Energy Efficiency Label (EEL) A
Mercury (Hg) Content 6.6 mg
Energy consumption kWh/1000h 80 kWh

• Product Data

Order code 928109300630
Full product code 928109300630
Full product name MASTERColour CDM-R Elite 70W/930 E27 PAR30L 10D
Order product name MC CDM-R Elite 70W/930 E27 PAR30L 10D
Pieces per pack 1
Packing configuration 6
Packs per outerbox 6
Bar code on pack - EAN1 8718291241867
Bar code on outerbox - EAN3 8718291241874
Logistic code(s) - 12NC 928109300630
ILCOS code MRS/UB-70/930-H-E27-95/125/10
Net weight per piece 0.220 kg

• Measuring Conditions

Switching cycle 1350X

• Luminaire Design Requirements

Cap-Base Temperature 200 (max) C
Bulb Temperature 300 (max) C

• Product Dimensions

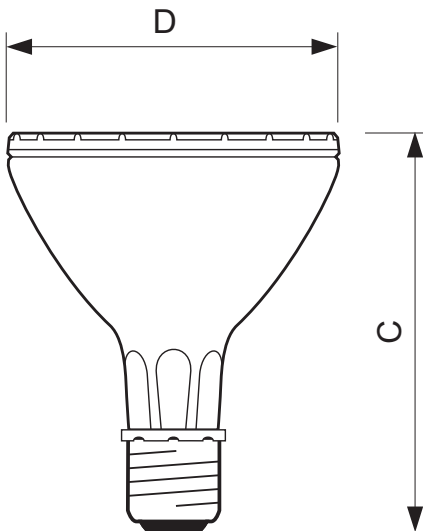
Overall Length C 123 (max) mm

Warnings and Safety

- Use only with electronic control gear
- Control gear must include end-of-life protection (IEC61167, IEC 62035)

- A lamp breaking is extremely unlikely to have any impact on your health. If a lamp breaks, ventilate the room for 30 minutes and remove the parts, preferably with gloves. Put them in a sealed plastic bag and take it to your local waste facilities for recycling. Do not use a vacuum cleaner.

Dimensional drawing

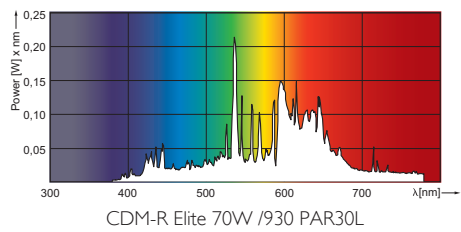


E27

MASTERColour CDM-R Elite 70W/930 E27 PAR30L 10D

Product	C (Max)	D (Max)
CDM-R Elite 70W/930 E27 PAR30L 10D	123	97

Photometric data



© 2015 Koninklijke Philips N.V. (Royal Philips)
All rights reserved.

Specifications are subject to change without notice. Trademarks are the property of Koninklijke Philips N.V. (Royal Philips) or their respective owners.

www.philips.com/lighting

2015, July 11
data subject to change